

# KIRA SPECS

## REACH

MAXIMUM HEIGHT	9'6" / 2.90 m
LOWEST POSITION	-2'4" / -0.71 m
MAXIMUM REACH (from rotate center)	6'7" / 2.01 m
BASE WIDTH (without power wheel)	2'6" x 5'0" 0.76 m x 1.52 m

## SHOOTING SPEED

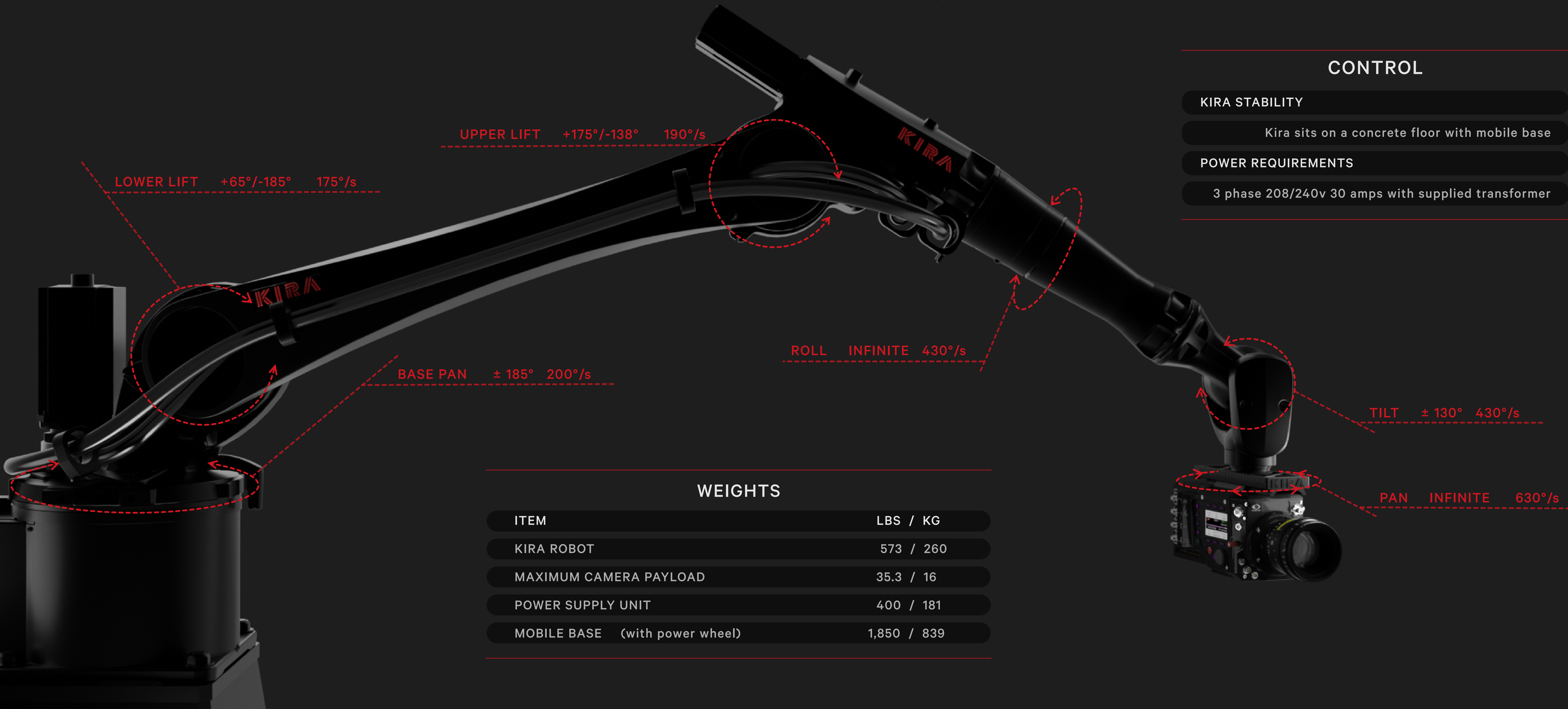
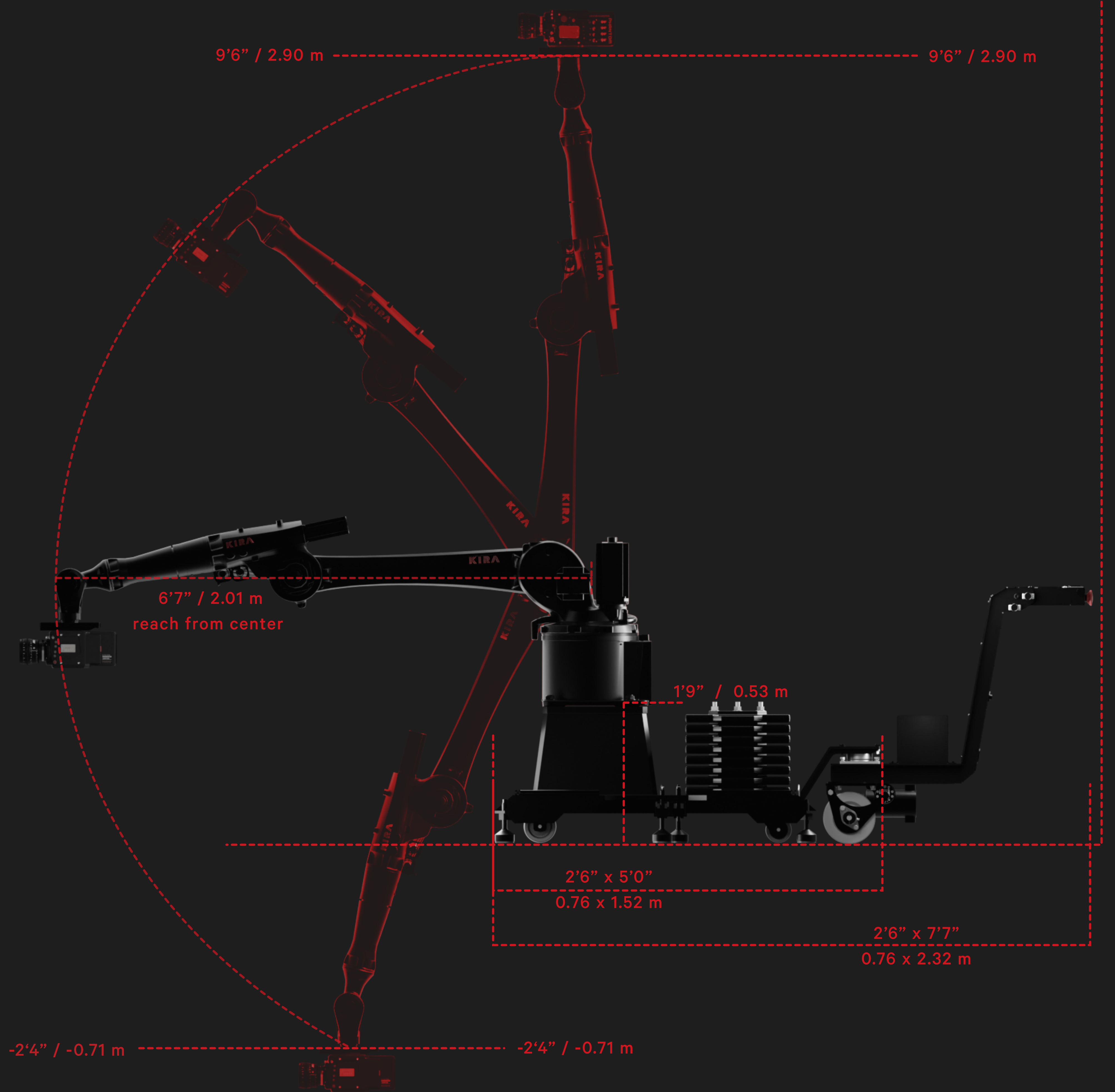
VERTICAL MOVE	14.76 f/s / 4.5 m/s
HORIZONTAL MOVE	14.76 f/s / 4.5 m/s
MAX SPEED WITH TRACK	29.53 f/s / 9 m/s

## PERFORMANCE

AXIS	RANGE OF TRAVEL	DEGREES PER SECOND
BASE PAN	± 185°	200°/s
LOWER LIFT	+65°/-185°	175°/s
UPPER LIFT	+175°/-138°	190°/s
ROLL	Infinite Rotating	430°/s
TILT	± 130°	430°/s
PAN	Infinite Rotating	630°/s

## TEMPERATURE

MIN	MAX
41°F / 5°C	131°F / 55°C



## CONTROL

- KIRA STABILITY**  
Kira sits on a concrete floor with mobile base
- POWER REQUIREMENTS**  
3 phase 208/240v 30 amps with supplied transformer

## WEIGHTS

ITEM	LBS / KG
KIRA ROBOT	573 / 260
MAXIMUM CAMERA PAYLOAD	35.3 / 16
POWER SUPPLY UNIT	400 / 181
MOBILE BASE (with power wheel)	1,850 / 839